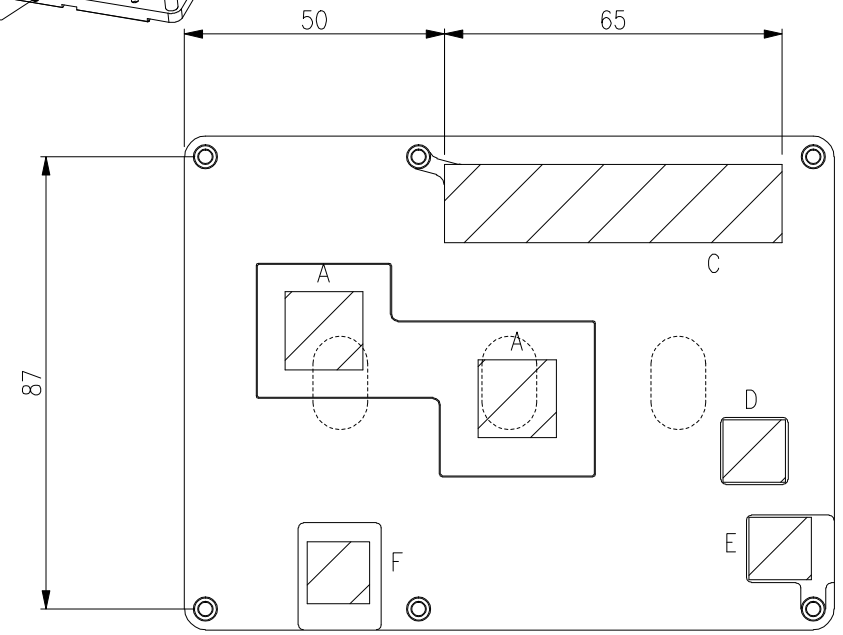
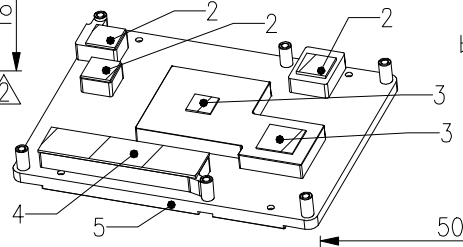
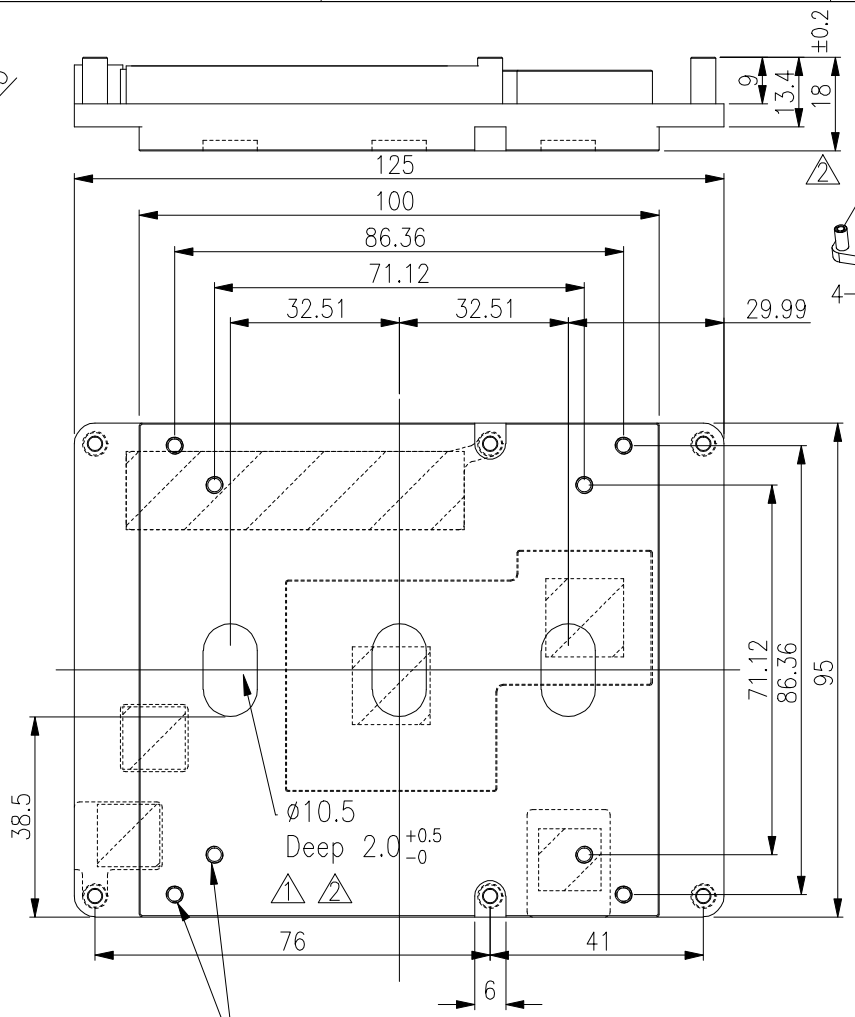
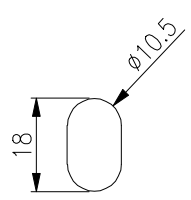


REV. LTR.	DATE	UPDATE DESCRIPTION	REMARK	SIGN	APPROVER
1	2010.02.23	Add $\phi 10.5$ Deep 6.4 *3		Nina	
2	2010.03.31	Change $\phi 10.5$ Deep 6.4 \rightarrow 2 ; change 15 \rightarrow 18		Nina	



- NOTE:
- PAD:見零件表
 - Accessory kit:
 - (Head-BI)頭 M2.5*6-1PCS
 - (Head-BI)頭 M2.5*18-4PCS
 - Neutral Package (in White Box)
 - All sharp edges to be rounded



5										
4	PAD_65X15_10T	RS-300	1	Thermal PAD	65*15*1.25t:					
3	PAD_15X15_05T	RS-300	1	Thermal PAD	15*15*0.75t:					
2	PAD_12X12_10T	RS-300	3	Thermal PAD	12*12*1.25t:					
1	Heat sink	-	1	AL 6063-T5						
ITEM	PART NAME	PART NO.	QTY/SET	MATERIAL(SPEC.)	REMARK					
MATERIAL(SPEC.)		AL 6063-T5		QUANTITY/SET	1					
FINISH		Anodizing treatment		DRAWER	2010.03.31					
SELECT V				DESIGNER	Nina	DESCRIPTION				
DIM TOL		1	2	3	4	EXTRA	CME-Z5xx Heat Spreader			
~8	0.03	0.05	0.10	0.20	0.20		CHECKER	SCALE	PART NO.	DRAWING NO.
8~25	0.05	0.08	0.20	0.30	0.20		-	1,000	6884042	heat sink
25~80	0.08	0.12	0.30	0.40	0.20		APPROVER	UNIT	FILE NAME	MODEL NO.
80~250	0.12	0.20	0.40	0.50	0.20		-	mm		
250~	0.20	0.30	0.50	0.60	0.30					